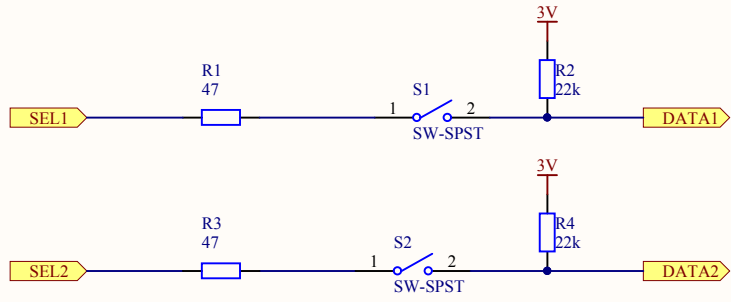
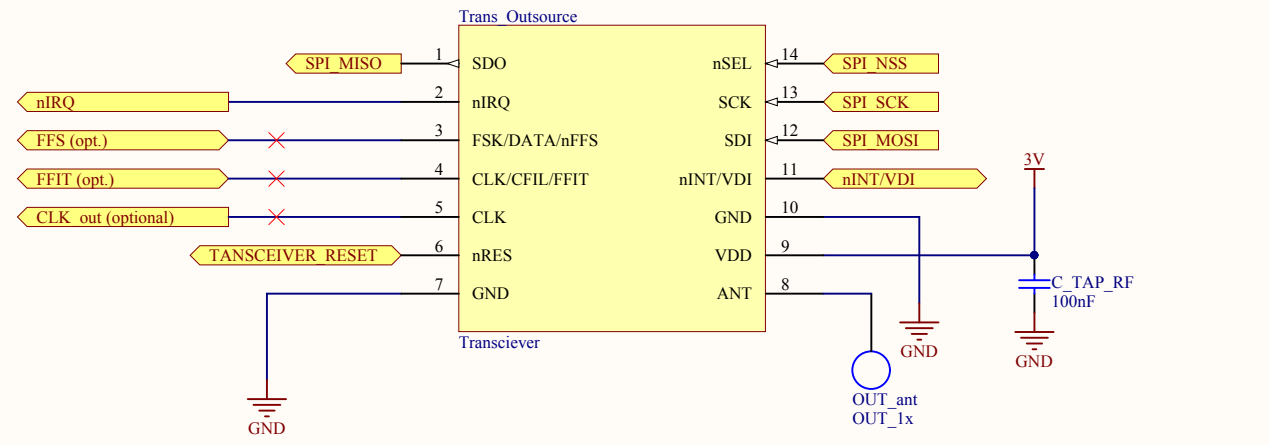
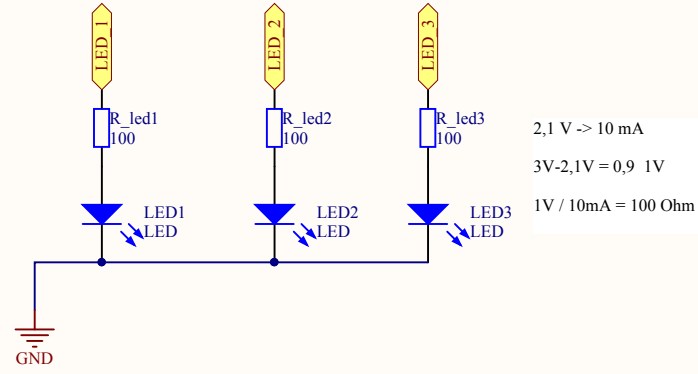
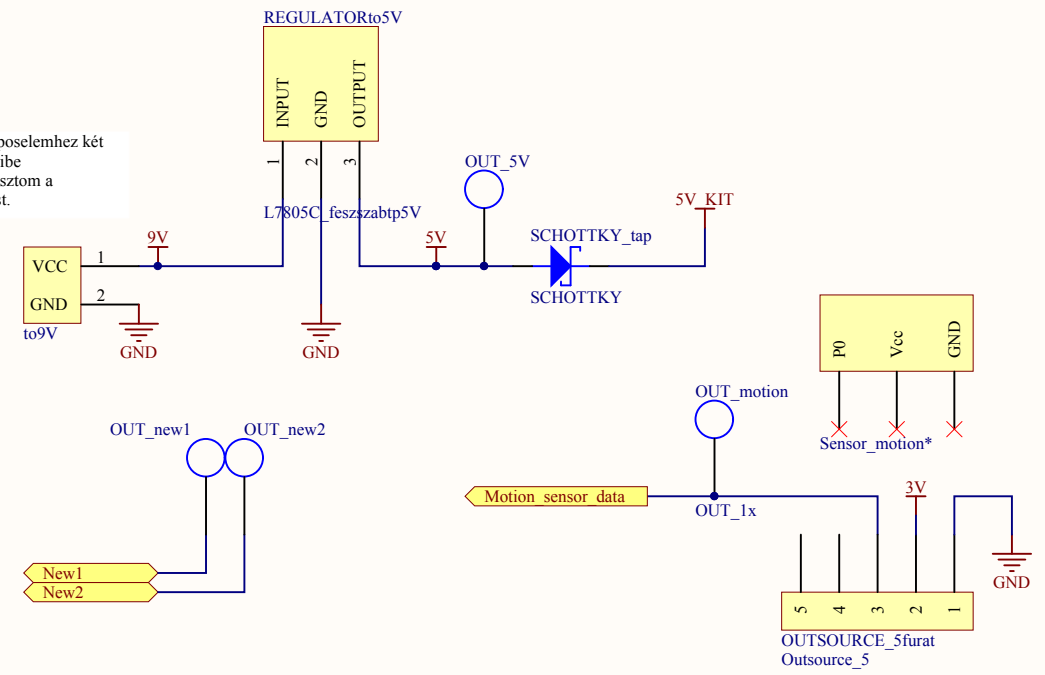


Title		
Size	Number	Revision
A4		
Date:	2013.05.02.	Sheet of
File:	C:\Users\...\Sheet3 Outsource uC.SchDoc	Drawn By:



9V-os laposelemhez két furat, amibe beleforrasztom a kivezetést.



Title		
Vizi Gábor - BME-VIK - AAIT - önlab VG_radiosecure - Outsource_Panel		
Size	Number	Revision
A4		
Date:	2013.05.02.	Sheet of
File:	C:\Users\...Sheet4 Outsource_Panel.SchDoc	Drawn By:

1

2

3

4

1

2

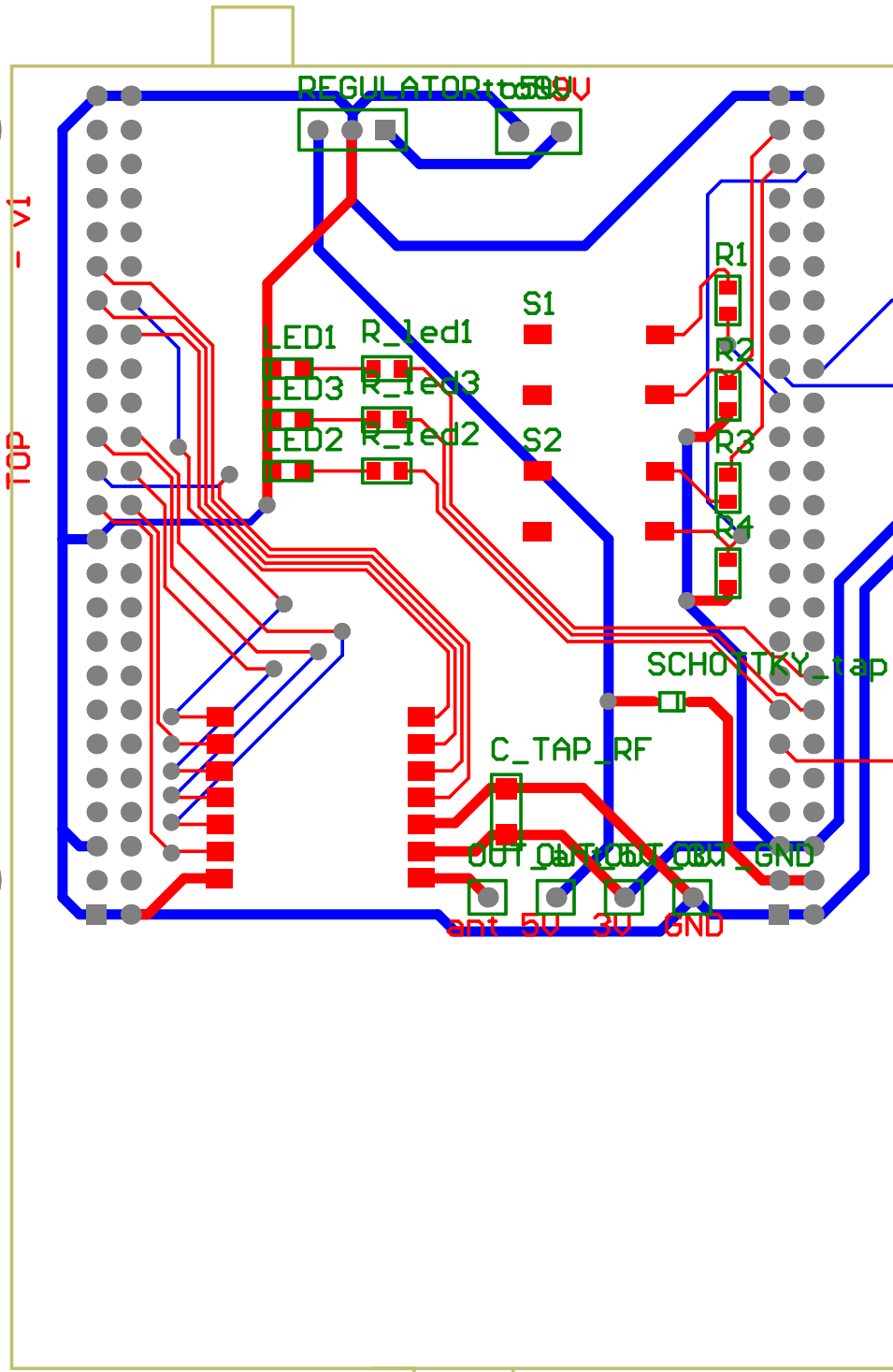
3

4

uC\_Outsource

Vizi Gabor  
RadioSecure - Outsource Panel

TOP - V1



OUT\_new2  
OUT\_new1  
new1\_new2

OUTSOURCE\_5fur at

OUT\_motion  
Motion

OUT\_Q  
OUT\_RF  
OUT\_C  
OUT\_U  
GND  
ant 5U 3U GND