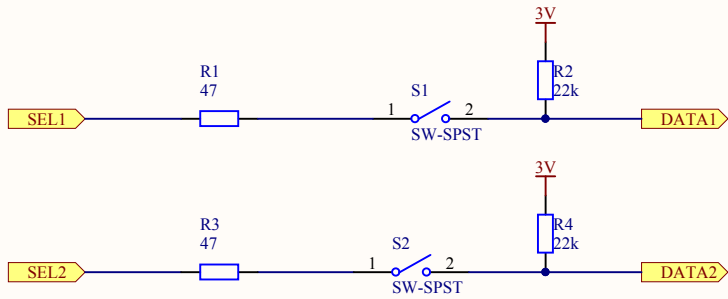
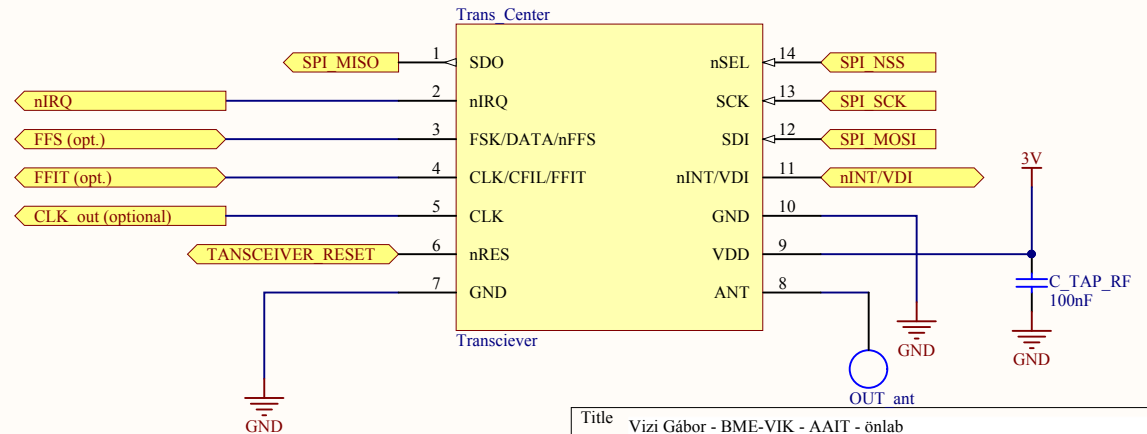
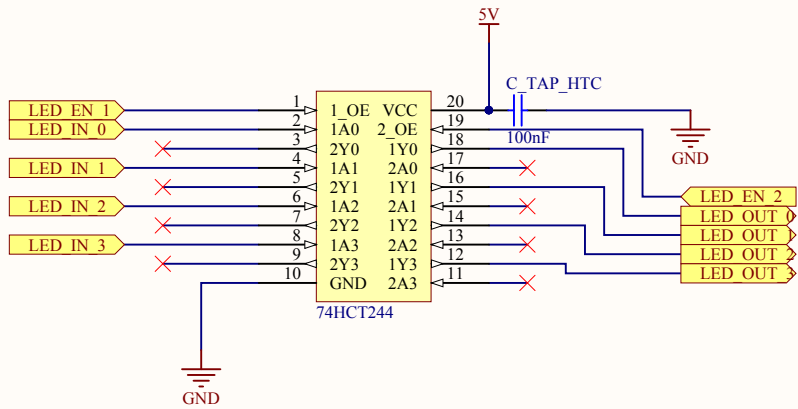
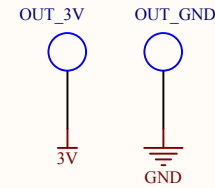
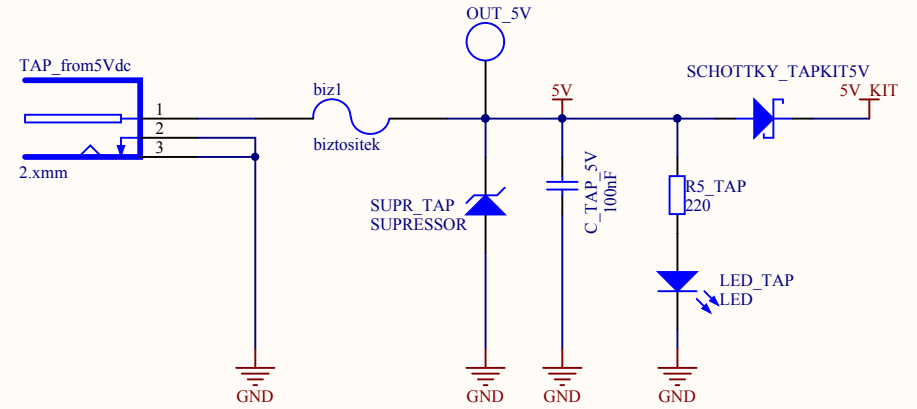
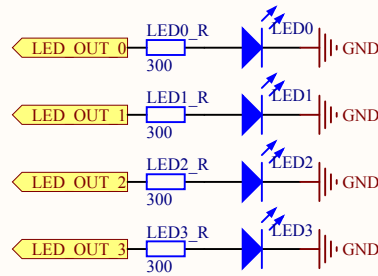


Title		
Size	Number	Revision
A4		
Date:	2013.05.01.	Sheet of
File:	C:\Users\...\Sheet1 Center uC.SchDoc	Drawn By:



$2,1\text{ V} \rightarrow 10\text{ mA}$   
 $5\text{V} - 2,1\text{V} = 3\text{V}$   
 $3\text{V} / 10\text{mA} = 300\text{ Ohm}$



Title		
Vizi Gábor - BME-VIK - AAIT - önlab		
VG_radiosecure - Center_Panel		
Size	Number	Revision
A4		
Date:	2013.05.01.	Sheet of
File:	C:\Users\...\Sheet2 Center_Panel.SchDoc	Drawn By:

