

Title		
Size A4	Number	Revision
Date:	2014.06.26.	Sheet of
File:	C:\Users\...\Sheet Buffer.SchDoc	Drawn By:

COL1 COL2 COL3 COL4 COL5 COL6 COL7 COL8

VCC_5V

ROW1
1K

Q1
BC817

D1 LED D2 LED D3 LED D4 LED D5 LED D6 LED D7 LED D8 LED

ROW2
1K

Q2
BC817

D21 LED D22 LED D23 LED D24 LED D25 LED D26 LED D27 LED D28 LED

ROW3
1K

Q3
BC817

D31 LED D32 LED D33 LED D34 LED D35 LED D36 LED D37 LED D38 LED

ROW4
1K

Q4
BC817

D41 LED D42 LED D43 LED D44 LED D45 LED D46 LED D47 LED D48 LED

ROW5
1K

Q5
BC817

D61 LED D62 LED D63 LED D64 LED D65 LED D66 LED D67 LED D68 LED

ROW6
1K

Q6
BC817

D71 LED D72 LED D73 LED D74 LED D75 LED D76 LED D77 LED D78 LED

ROW7
1K

Q7
BC817

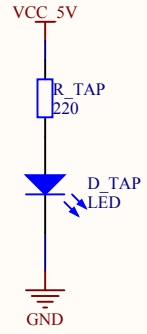
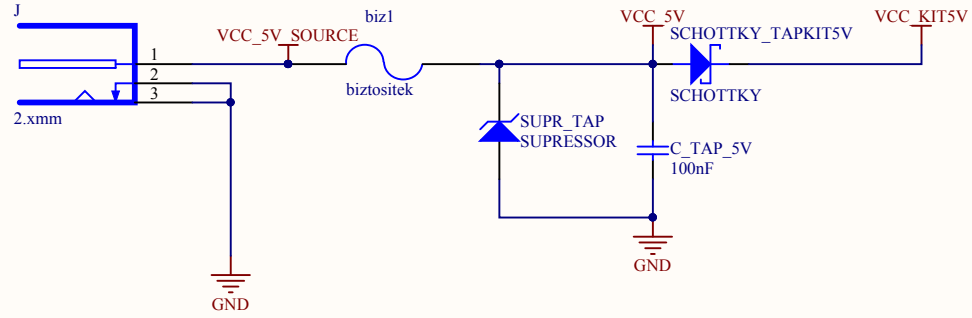
D81 LED D82 LED D83 LED D84 LED D85 LED D86 LED D87 LED D88 LED

ROW8
1K

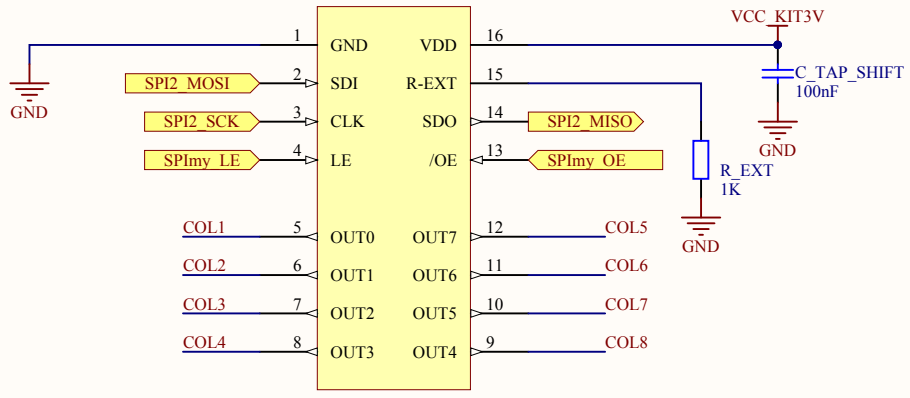
Q8
BC817

Title VG_Ledmatrix_v2 - Sheet_myPanel1 - Edited by Vizi Gábor

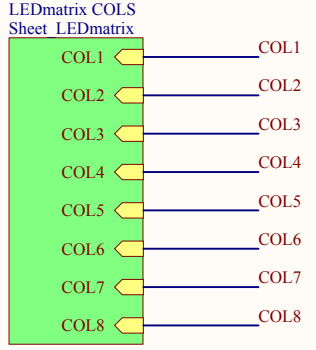
Size A4	Number	Revision
Date: 2014.06.26.	Sheet of	
File: C:\Users\...\Sheet_LEDmatrix.SchDoc	Drawn By:	



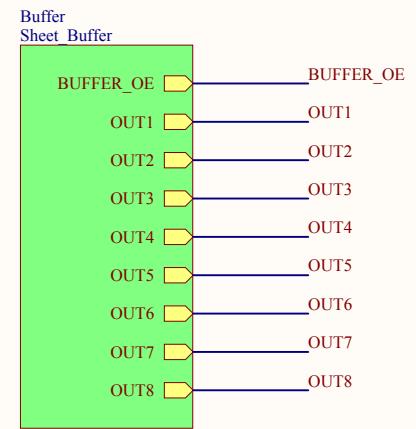
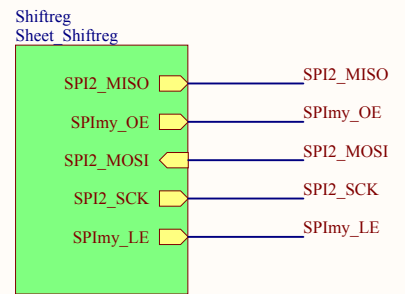
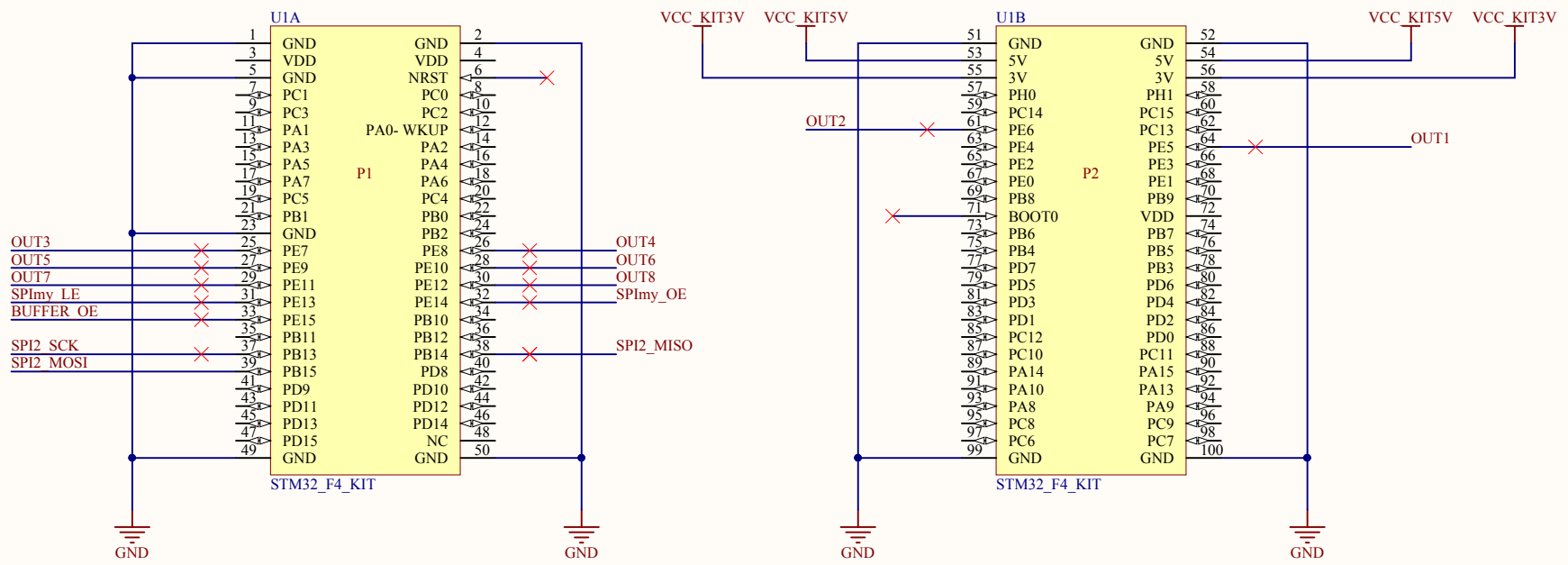
Title		
Size A4	Number	Revision
Date: 2014.06.26.	Sheet of	
File: C:\Users\...\Sheet others.SchDoc	Drawn By:	



SHIFTRREG_1



Title		
VG_Ledmatrix_v2 - Sheet_myPanel2 - Edited by Vizi Gábor		
Size	Number	Revision
A4		
Date:	2014.06.26.	Sheet of
File:	C:\Users\...\Sheet_Shiftrreg.SchDoc	Drawn By:



Title		
VG_Ledmatrix_v2 - Sheet_uC - Edited by Vizi Gábor		
Size	Number	Revision
A4		
Date:	2014.06.26.	Sheet of
File:	C:\Users\...\Sheet uC.SchDoc	Drawn By:

